



CyberLock Programmer II

Part number: CLP-200

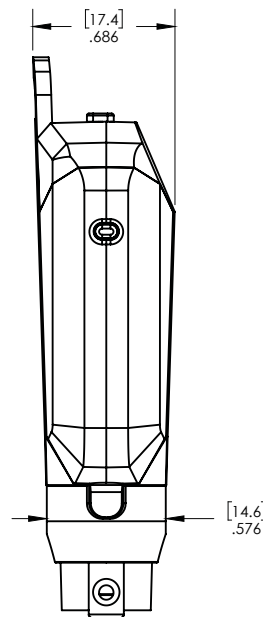
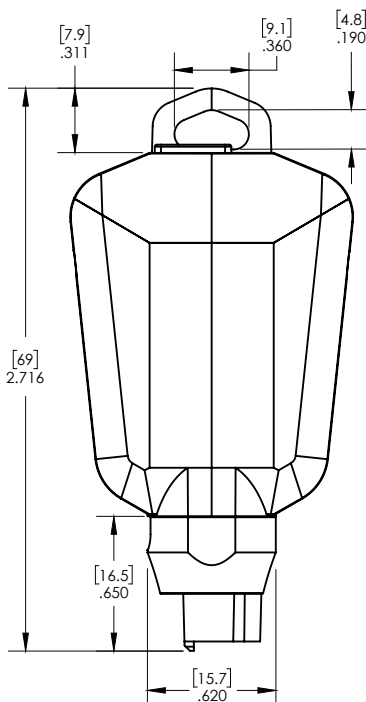
CAW	Version 9.0 or newer
Enterprise	<input checked="" type="checkbox"/>
Basic	<input checked="" type="checkbox"/>

CyberLock Programmer II enables downloading audit trails and programming CyberLocks with an Android device (Android phone or tablet running Android 6.0 or later) running the CyberAudit Link app or a Windows PC (running Windows 7 or later) running CyberLink 2. It connects via a USB cable.

Note: This is not a key and will not open CyberLocks

Specifications

Physical	Fiberglass reinforced nylon, brass tip
Operating Temperature	32° to 122° F, 0° to 50° C
Humidity	0 to 90% non-condensing
Dimensions	2.7" L x 1.36" W x 0.68" D (69 mm x 34.7 mm x 17.4 mm)
Weight	0.81 oz (23 g)
Power	Via USB
Connection	Micro USB
Indicators	LED light, beeper
Cable	Includes USB A to micro USB cable (3 feet)



Notes:
Dimensions in inches (mm)
Drawing not to scale

