



CyberKey Authorizer Keypart 2

Part number: AK-G2

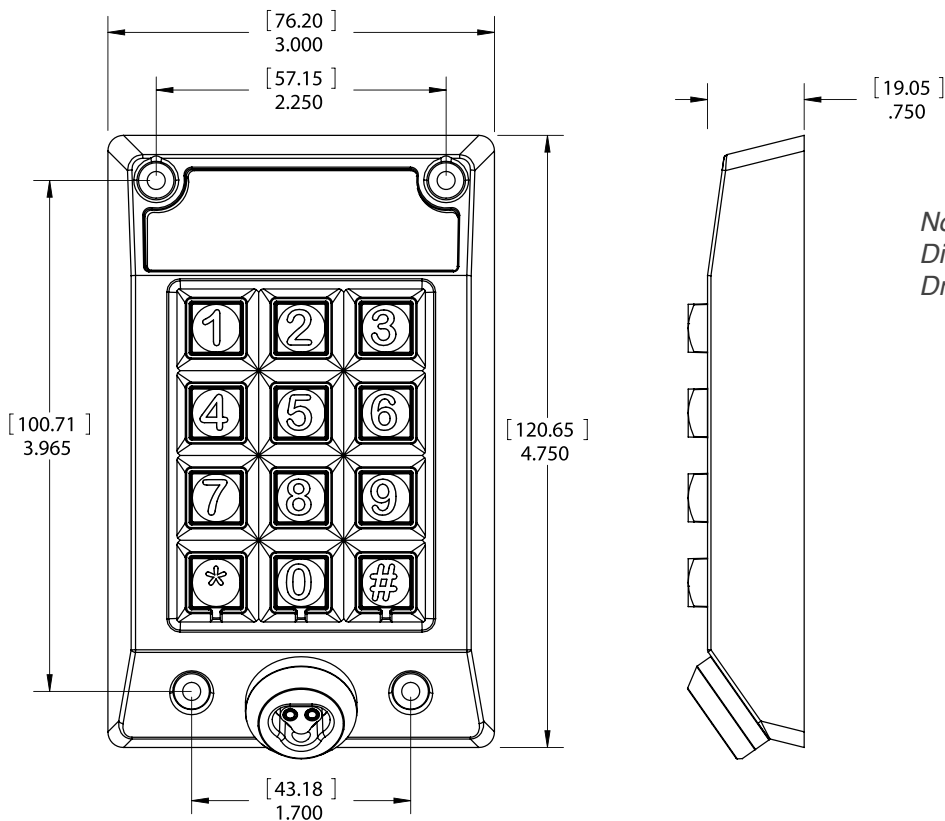
CAW	Version 9.1 or newer
Enterprise	<input checked="" type="checkbox"/>
Basic	<input checked="" type="checkbox"/>



The CyberKey Authoriser Keypart 2 is the next generation Authoriser Keypart. It has all the features of the original Authoriser Keypart but also offers a significant increase to key update speed when paired with a CyberKey Authoriser Hub 2 and is fully compatible with all CyberKeys.

Specifications

Physical	Black powder-coated cast aluminum, weather-resistant
Operating Temperatures	0° to 140° F, -17° to 60° C, indoor and outdoor installation
Dimensions	3" W x 4.75" L x .75" D (76.2 mm x 120.7 mm x 24.9 mm)
Weight	9.14 oz (259 g)
Power	Supplied by hub
Connections	RJ45 for Ethernet patch cable using RS-485
Compatible Keys	Current Gen 1 and all Gen 2 keys
Distance from Hub	200 feet maximum CAT 5 patch
Display	LED, 8 characters
Keypad	Standard metal numeric keypad
Year Introduced	2019



Notes:
Dimensions in inches (mm)
Drawing not to scale